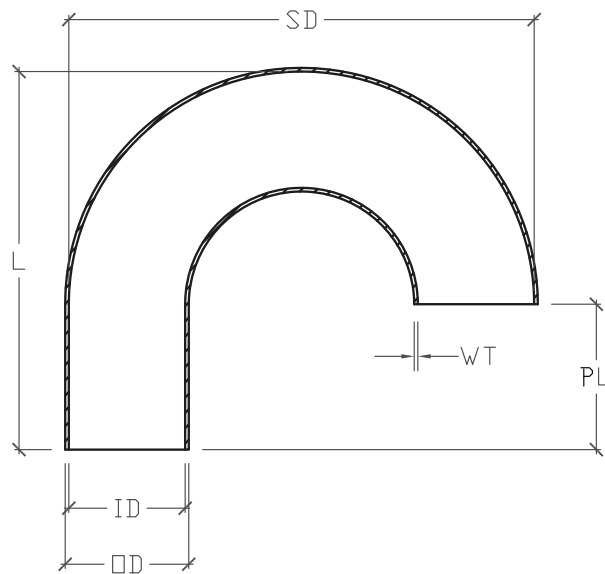



**FRP U-VENT**  
**8" DIAMETER**  
**25 PSI**


NOMINAL INSIDE DIAMETER [ID]	PRESSURE RATING PSI	OUTSIDE DIAMETER [OD]	OVERALL LENGTH [L]	PIPE LENGTH [PL]	WALL THICKNESS [WT]	SWEEP DIAMETER [SD]
8"	25	8-1/2"	26"	10"	1/4"	32-1/2"

Information appearing in this literature is provided as a guide for the use and application of the products being offered. It is not and does not represent a specific warranty or guarantee of the product or its performance. It is the user's responsibility to determine the suitability of this product for a specific application.

