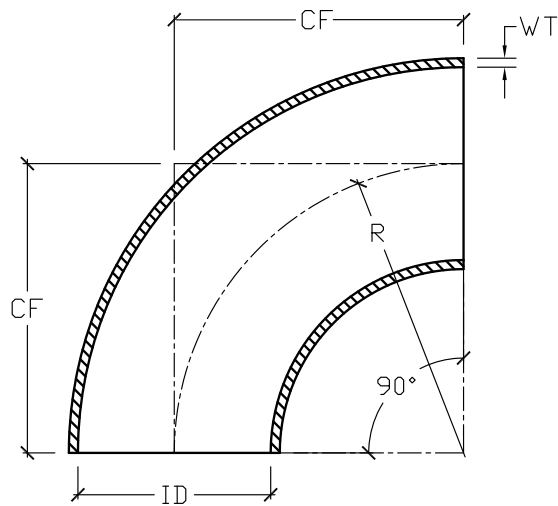




FRP 90° ELBOW
 18" DIAMETER
 150 PSI



NOMINAL INSIDE DIAMETER [ID]	PRESSURE RATING PSI	WALL THICKNESS [WT]	CENTERLINE TO FACE HEIGHT [CF]
18"	150	7/8"	27"

Information appearing in this literature is provided as a guide for the use and application of the products being offered. It is not and does not represent a specific warranty or guarantee of the product or its performance. It is the user's responsibility to determine the suitability of this product for a specific application.



COUPLINGS STUB FLANGES BLIND FLANGES 90° ELBOWS U-VENTS MANWAYS GRATING