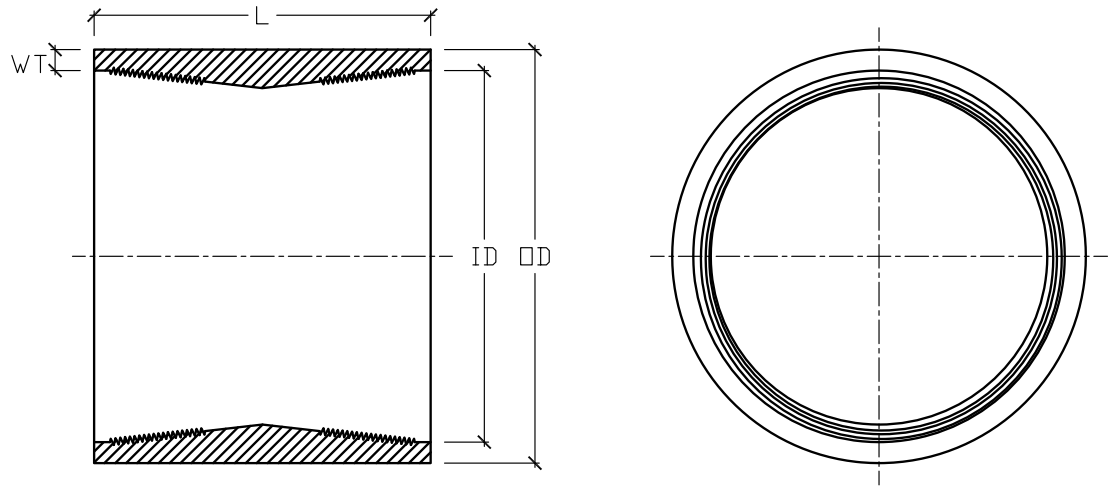




FRP COUPLING  
 6" DIAMETER  
 6" LENGTH  
 150 PSI



NOMINAL INSIDE DIAMETER [ID]	PRESSURE RATING PSI	OUTSIDE DIAMETER [OD]	OVERALL LENGTH [L]	WALL THICKNESS [WT]
6"	150	7"	6"	1/2"

Information appearing in this literature is provided as a guide for the use and application of the products being offered. It is not and does not represent a specific warranty or guarantee of the product or its performance. It is the user's responsibility to determine the suitability of this product for a specific application.

