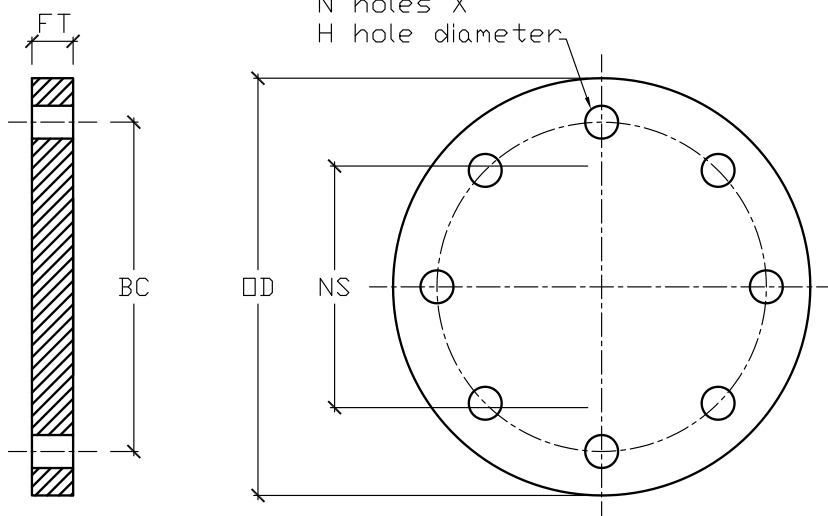




FRP BLIND FLANGE  
3" DIAMETER  
150 PSI



| NOMINAL SIZE [NS] | PRESSURE RATING PSI | FLANGE THICKNESS [FT] | OUTSIDE DIAMETER [OD] | BOLT CIRCLE DIAMETER [BC] | NUMBER OF HOLES [N] | BOLT HOLE DIAMETER [H] |
|-------------------|---------------------|-----------------------|-----------------------|---------------------------|---------------------|------------------------|
| 3"                | 150                 | 7/8"                  | 8"                    | 6"                        | 4                   | 3/4"                   |

Information appearing in this literature is provided as a guide for the use and application of the products being offered. It is not and does not represent a specific warranty or guarantee of the product or its performance. It is the user's responsibility to determine the suitability of this product for a specific application.

